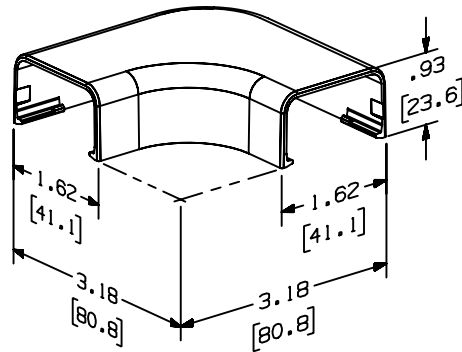


THIS COPY IS PROVIDED ON A RESTRICTED BASIS AND IS NOT TO BE USED IN ANY WAY DETRIMENTAL TO THE INTERESTS OF PANDUIT CORP.

PANDUIT PART NO.	WEIGHT
RAFC10	4.4 LB/100 PCS (2010 g/100 PCS)

NOTES:

- SEE CURRENT CATALOG FOR ADDITIONAL PART NUMBER SUFFIXES TO INDICATE COLOR AND OR PACKAGE QUANTITY.
- THIS PRODUCT IS INTENDED TO BE USED WITH PANDUIT TYPE LD10 RACEWAY.
- NOMINAL WALL THICKNESSES: .070 [1.8].
- THIS PRODUCT IS FEATURED WITH THE TIA/EIA COMPLIANT BEND RADIUS.
- DIMENSIONS IN PARENTHESIS ARE IN METRIC.



CAD FILENAME/LAYERS D35013BD\_LD\_RAFC10\_02.PRT

PANDUIT CORP. TINLEY PARK, ILLINOIS

RIGHT ANGLE FITTING COVER  
(RAFC10)  
CUSTOMER DRAWING

UNLESS OTHERWISE SPECIFIED,  
DIMENSIONAL TOLERANCES ARE:  
(.X) ± (.XXX) ±.015 [.4]  
(.XX) ±.03 [.8] ANGLES ±

UNLESS OTHERWISE SPECIFIED,  
ALL DIMENSIONS ARE GIVEN  
IN INCHES, THIRD ANGLE PROJECTION.

2	03-11-04	JHEP	RMHI	B. REMOVED CD10 FROM NOTE 2	35013-04	RGRO	RGRO											
1	07-03-02	JHNU	RMHI	A. REVISED MATERIAL IN DRAWING TITLE BLOCK	35013-04	RGRO	RGRO											
R	02-13-95	DW	CEF	RELEASED TO PRODUCTION	35013-04	CEF	CEF											
REV	DATE	BY	CHK	DESCRIPTION	ECN	CHK	CUST	SUP										
										DRAWN BY DW		MAT'L: ABS		SCALE NONE		DRAWING NO. 35013-04		DWG SIZE A
										DATE 02-13-95		CHECKED BY CEF		DRAWING NO. 35013-04		DWG SIZE A		